

Convergent Reflective Micro Photoelectric Sensor

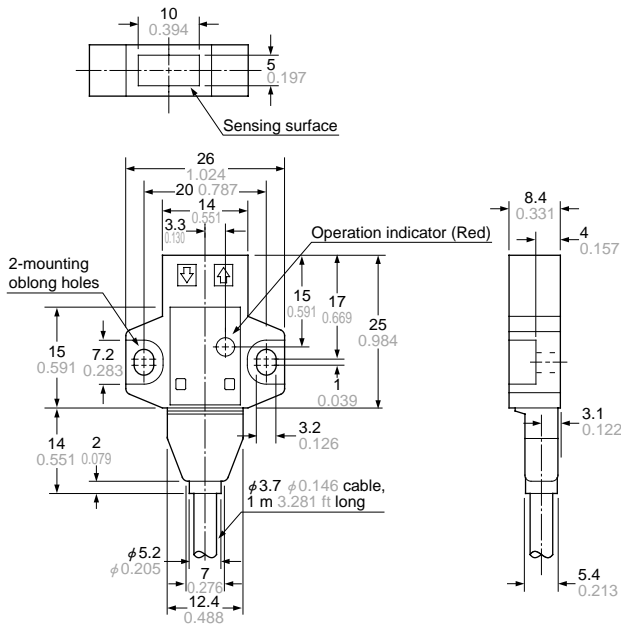
The PM2 series of micro photoelectric sensors offers a convergent reflective sensing solution for incredibly stable sensing. Because the sensor only detects in a limited area, it is not affected by background objects, color, or reflectivity. Small objects down to 0.05mm can be detected reliably as well. Three sensor head styles are available in both connector and cable types. One control output is provided (NPN).

Model Name	Type	Output Operation	Output Configuration	Emitting Element	Max. Range (mm)	Max. Range (in)
Sort ▲ ▼	Sort ▲ ▼	Sort ▲ ▼	Sort ▲ ▼	Sort ▲ ▼	Sort ▲ ▼	Sort ▲ ▼
PM2-LF10B-C1	Convergent Reflective, Front Sensing, Cable Type	Dark-ON	NPN	Infrared LED	8	0.315
PM2-LF10-C1	Convergent Reflective, Front Sensing, Cable Type	Light-ON	NPN	Infrared LED	8	0.315
PM2-LH10B-C1	Convergent Reflective, Top Sensing, Cable Type	Dark-ON	NPN	Infrared LED	8	0.315
PM2-LH10-C1	Convergent Reflective, Top Sensing, Cable Type	Light-ON	NPN	Infrared LED	8	0.315
PM2-LL10B-C1	Convergent Reflective, L Type, Top Sensing, Cable Type	Dark-ON	NPN	Infrared LED	8	0.315
PM2-LL10-C1	Convergent Reflective, L Type, Top Sensing, Cable Type	Light-ON	NPN	Infrared LED	8	0.315

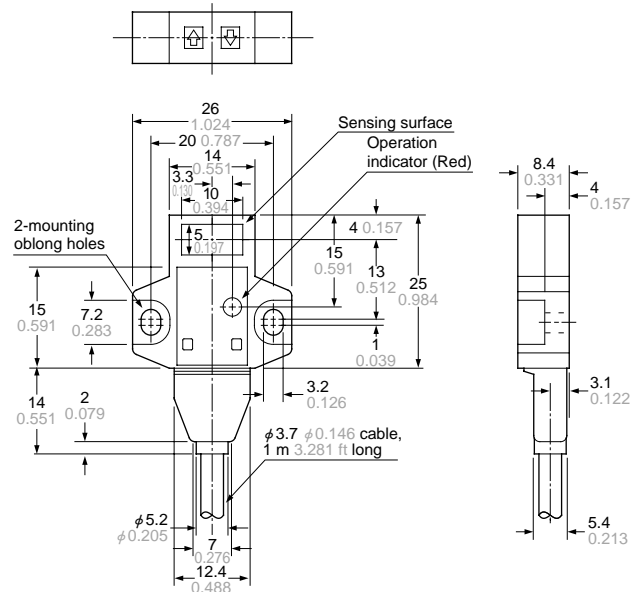
PM2

DIMENSIONS (Unit: mm in)

PM2-LH10-C1
PM2-LH10B-C1 Sensor



PM2-LF10-C1
PM2-LF10B-C1 Sensor



PM2-LL10-C1
PM2-LL10B-C1 Sensor

